



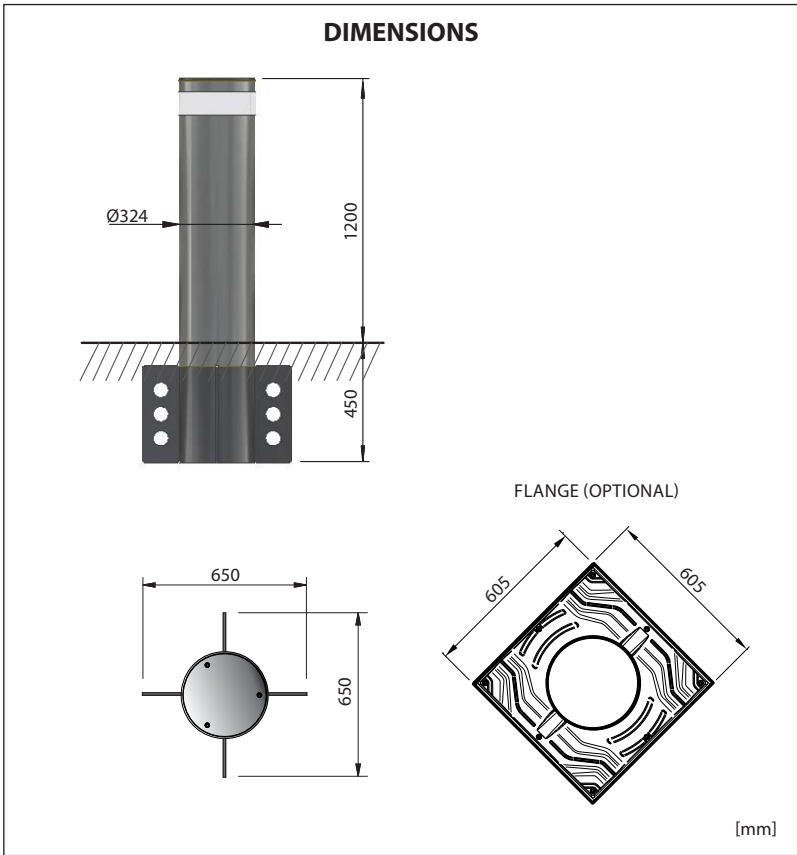
PRODUCT DATASHEET

RANCH E 330/1200CN I

Fixed high security bollard

For anti-terrorism and high-security applications. High resistance structure based on the automatic version design which has been certified by accredited laboratory following IWA-14 and PAS68:2010 with rating 7500/80/N3C, comparable to ASTM2656:2007 M50. Twin installation. Available with or without flange.

© BFT spa reserves the rights to change the information hereby contained at any time and without prior notice. Pictures are only indicative and could differ from the received machine for some details.



- **High resistance fixed bollard for anti-terrorism and high-security applications (twin installation)**
- Main tube dimensions (above ground): **Ø324 x h.1 200**
- Break-in resistance: **2 100 000 J (twin installation)**
- Impact resistance: **350 000 J (twin installation)**
- Available with or without flange
- Flange dimensions: **605 x 605 mm**
- Main tube material: painted steel
- LED light cap (optional)
- Customizable adhesive reflective H100 film (optional)

REFERENCE STANDARDS

IWA-14 and PAS68:2010 with rating 7500/80/N3C, comparable to ASTM2656:2007 M50
 2006/42/CEE (EN60204-1 (2006)) - Machine directive
 2006/95/CEE; 93/68/CEE (EN60204-1 (2006)) - Low voltage

TECHNICAL-ENVIRONMENTAL MAIN FEATURES	
Main tube dimensions (above ground)	Ø324 x 1 200 (± 3 mm), stainless steel AISI 304 (AISI 316 optional)
Buried structure	650 x 650 x h. 450 mm
Foundation	Reinforced concrete. Rebar (not supplied) dimensions: 1 500 x 3 350 ⁽¹⁾ x h. 500 mm (twin installation)
Break-in resistance	2 100 000 J (twin installation)
Impact resistance	350 000 J (twin installation)
Passive visibility	Reflective film customizable (optional)
Top cover	Stainless steel AISI 304 (AISI 316 optional)
Net weight, version without flange	218 kg
Gross weight, version without flange	263 kg
Net weight, version with flange	241 kg
Gross weight, version with flange	286 kg

⁽¹⁾ 1200mm between near faces of the bollards, according to PAS69:2010.

ELECTRICAL FEATURES FOR LIGHT CAP VERSION (OPTIONAL)	
Power	KIT PS 12 Vac ±10%, 50-60 Hz
Power consumption	1.5 W for each bollard
Signalling	with high intensity LEDs, selectable colour RED or AMBER

For system composition and installation refer to the regulations in force in the country where the system is being installed.

ITEM SPECIFICATION

Anti-terrorism and high security FIX bollard (K12 equivalent), suitable to protect sensible sites. High resistance structure based on the design used for the automatic version which has been certified by accredited laboratory following IWA-14 and PAS68:2010 with 7500/80/N3C comparable to ASTM2656:2007 M50. Impact energy resistance: 2 100 000 J (twin installation). Above ground main tube dimensions: Ø324xH1 200. Main tube material and finish: stainless steel. With or without flange versions available.

Optional cast iron cataphoresis black cap with LED lights selectable colour RED or AMBER. Power: 12Vac ±10%, 50-60Hz. Power consumption 1.5W each bollard.

