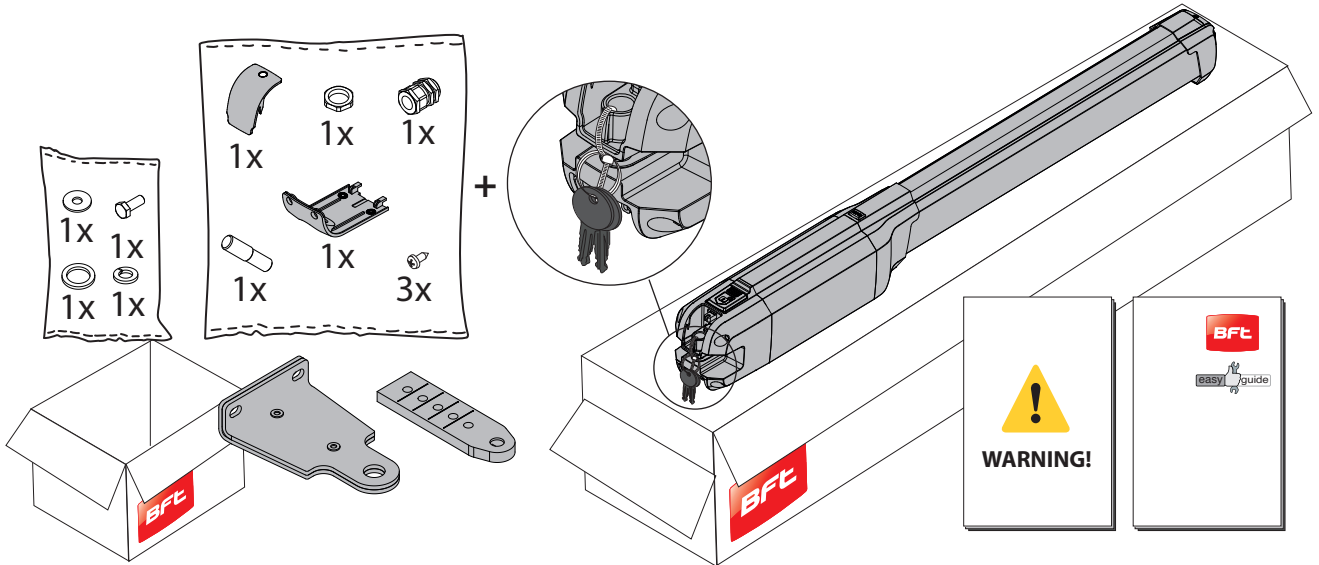


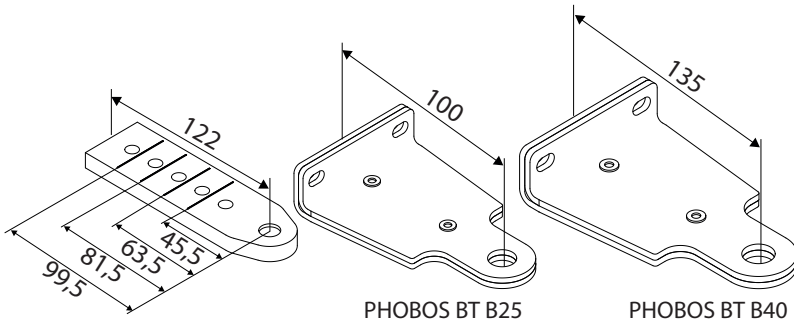
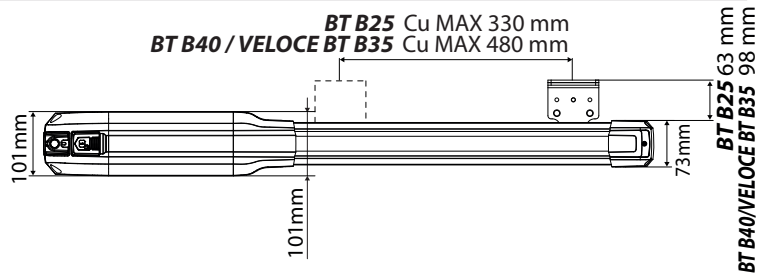
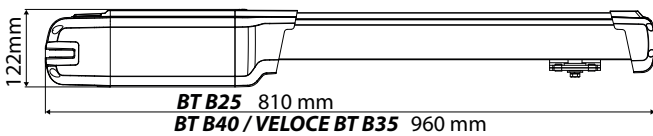
PHOBOS BT B25 PHOBOS BT B40 PHOBOS VELOCE BT B35



D814417 0ADA0_02 08-08-24



BT B25 Cu MAX 330 mm
BT B40 / VELOCE BT B35 Cu MAX 480 mm

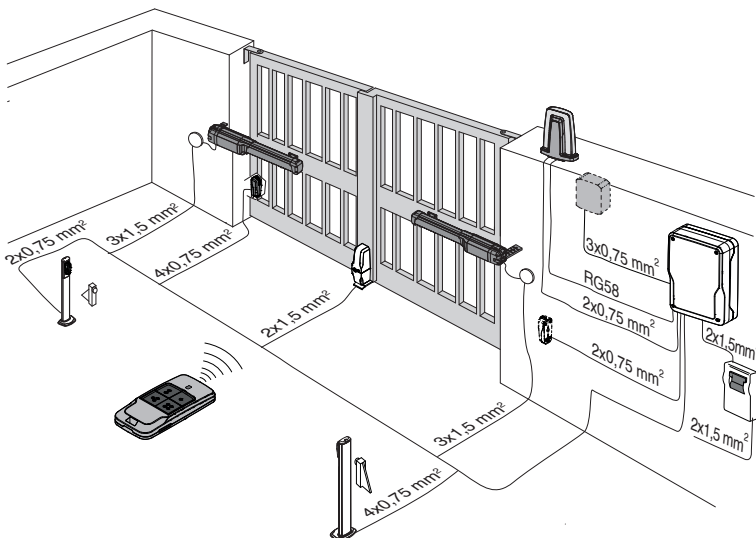


PHOBOS BT B25

PHOBOS BT B40

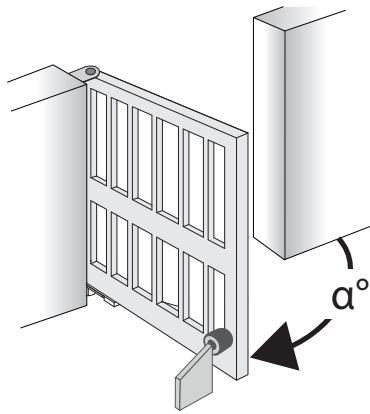
24 V				IP
40W PHOBOS BT B25/B40	<70dBA	- 20°C	+55°C	44
60W PHOBOS VELOCE BT B35				

PHOBOS BT B25 PHOBOS BT B40	Force 2.000 N	Page 9
	30 cycles\h	
PHOBOS VELOCE BT B35	Force 1.300 N	90°
	25 cycles\h	
PHOBOS BT B25	~ 13 s*	
PHOBOS BT B40	~ 16 s*	
PHOBOS VELOCE BT B35	~ 10 s*	

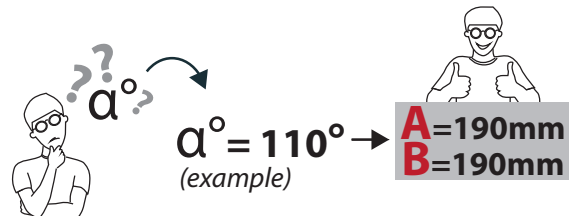
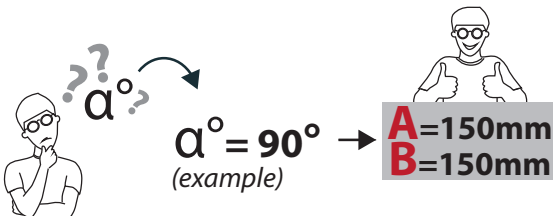
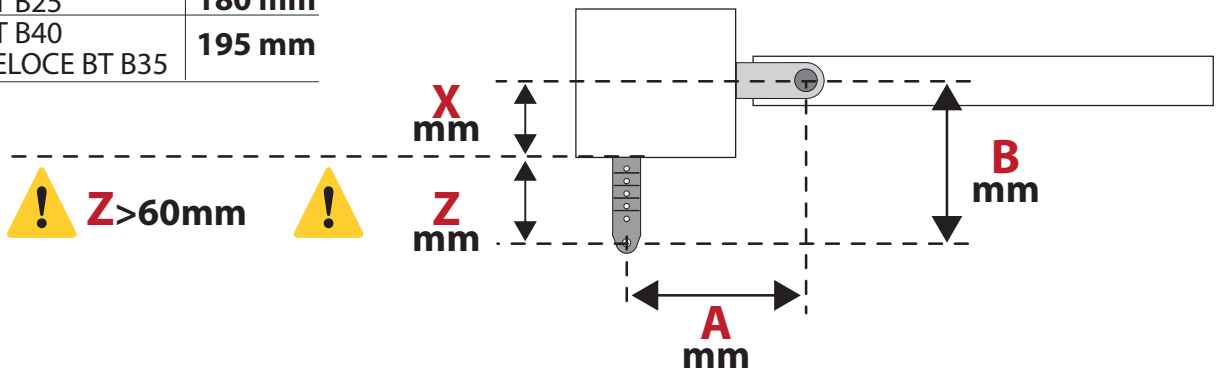


*
IT: Tempo indicativo misurato senza rallentamenti (anta massima e peso massimo).
EN: Indicative time measured without slowdowns (maximum door and maximum weight).
FR: Temps indicatif mesuré sans ralentissements (vantaill maximum et poids maximum).
DE: Gemessene Richtzeit ohne Abbremsen (maximaler Flügel und maximales Gewicht).
ES: Tiempo orientativo medido sin ralentizaciones (puerta máxima y peso máximo).
NL: Indicatieve tijd gemeten zonder vertragingen (maximale vleugel en maximaal gewicht).
PT: Tempo indicativo medido sem desacelerações (porta máxima e peso máximo).
GR: Ενδεικτικός χρόνος μετρημένος χωρίς επιβραδύνσεις (μέγιστο φύλλο και μέγιστο βάρος).
PL: Orientacyjny czas mierzony bez spowolnień (maksymalne skrzydło i maksymalna waga).
RU: Ориентировочное время, измеренное без замедлений (максимальная створка и максимальный вес).
CZ: Orientační čas měřený bez zpomalení (maximální křídlo a maximální hmotnost).
TR: Yavaşlama olmadan ölçülen gösterge süresi (maksimum kanat ve maksimum ağırlık).
HR: Indikativno vrijeme izmjereno bez usporavanja (maksimalni list i maksimalna težina).
RO: Timp orientativ măsurat fără încetiniri (frunză maximă și greutate maximă).

1



	X max
PHOBOS BT B25	180 mm
PHOBOS BT B40	195 mm
PHOBOS VELOCE BT B35	



PHOBOS BT B25

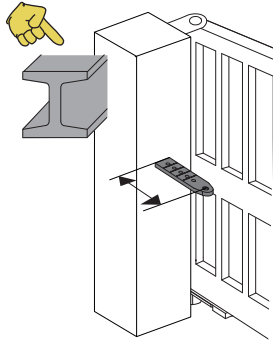
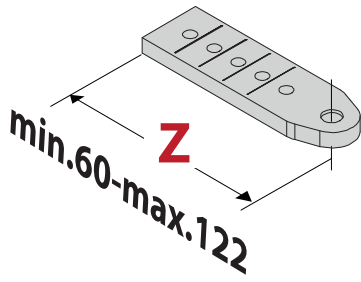
A ≈ B

PHOBOS BT B40
PHOBOS VELOCE BT B35

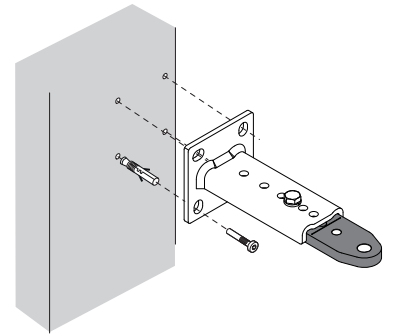
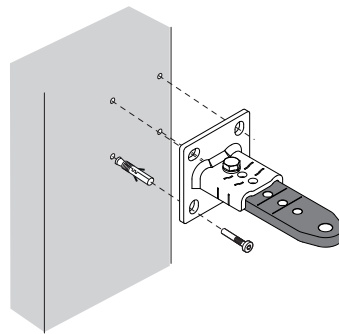
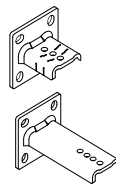
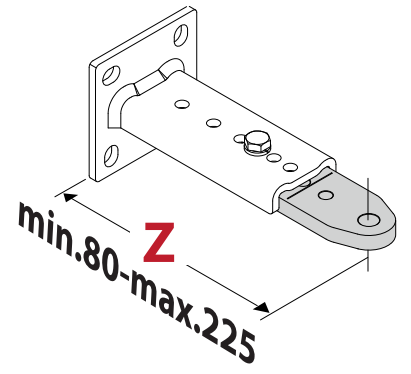
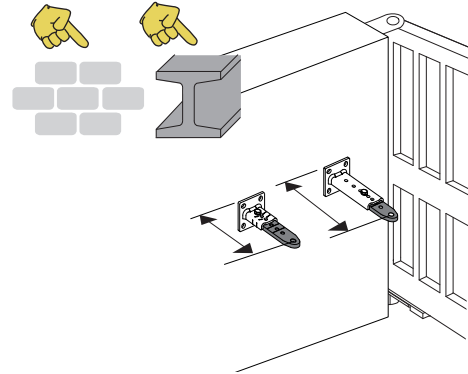
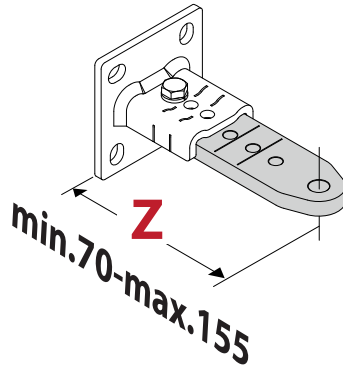
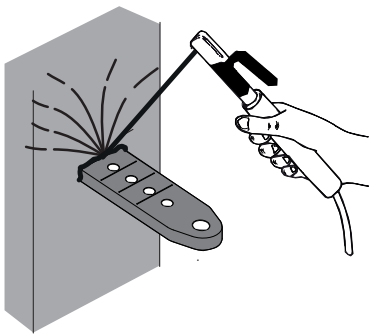
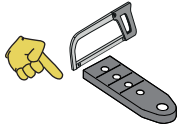
		A mm												
		100	110	120	130	140	150	160	170	180				
B mm	100	100	102	108	112	116	119	120	120	112	106			
	110	102	107	111	114	117	120	115	107	103				
	120	101	106	110	113	116	118	110	104	100				
	130	101	105	108	112	114	112	105	100	96				
	140	100	104	107	110	112	106	100	96					
	150	100	103	106	109	109	101	96	92					
	160	99	102	105	108	102	96	92						
	170	99	102	104	105	97	92							
	180	98	101	104	97	92								
	190	98	101	98	91									
	200	97	100	91										
210	96	91												

		A mm															
		100	110	120	130	140	150	160	170	180	190	200	210	220	230		
B mm	100	100	104	108	112	116	119	122	125	128	130	130	130	130	130	130	130
	110	103	107	111	114	118	120	123	126	128	128	128	128	128	128	128	126
	120	102	106	109	113	116	119	122	124	126	126	126	126	126	126	126	122
	130	101	105	108	112	115	117	120	122	125	125	125	125	125	125	125	120
	140	100	104	108	110	113	116	119	121	123	124	124	124	124	120	116	
	150	100	103	106	109	112	115	117	120	122	123	124	124	118	112		
	160	99	102	105	108	111	113	116	118	120	120	120	120	112	108		
	170	99	102	105	107	109	112	115	116	119	120	120	116	110	106		
	180	98	101	104	106	108	111	113	115	118	118	118	112	106	102		
	190	98	101	103	106	107	110	113	115	116	118	118	108	104	100		
	200	97	100	103	105	106	109	112	114	114	116	110	104	100			
	210	97	100	102	104	106	109	110	113	114	114	105	100				
	220	97	99	101	104	105	108	108	108	110	106	100					
	230	96	99	101	103	104	107	108	108	110	100						
	240	96	98	101	103	104	106	106	100	100							
	250	96	98	100	102	103	103	103	100								
	260	96	98	100	100	103	103	103									
	270	95	97	99	100	102	102										
280	95	97	98	98	100												
290	95	97	97	97													
300	95	97	97														

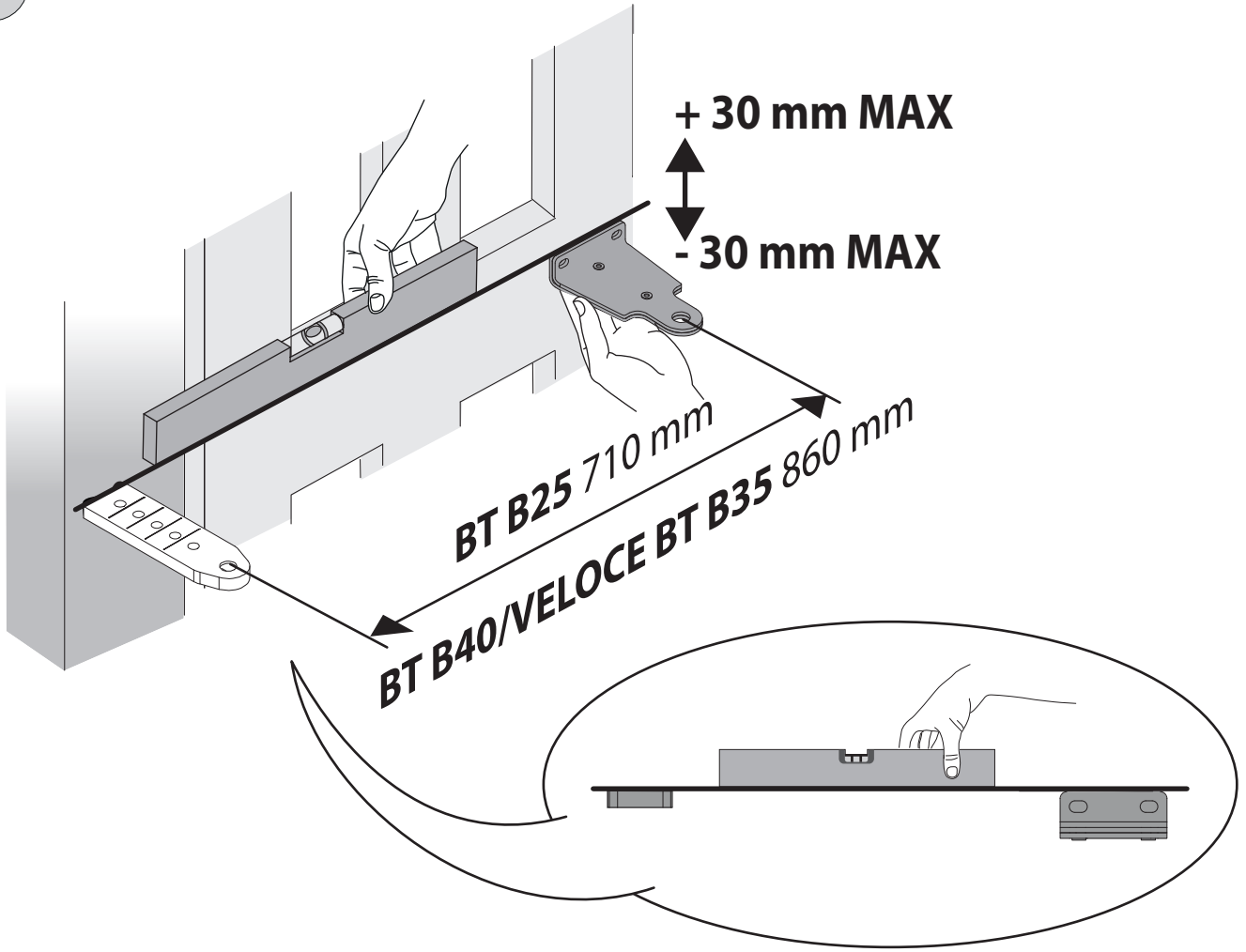
2



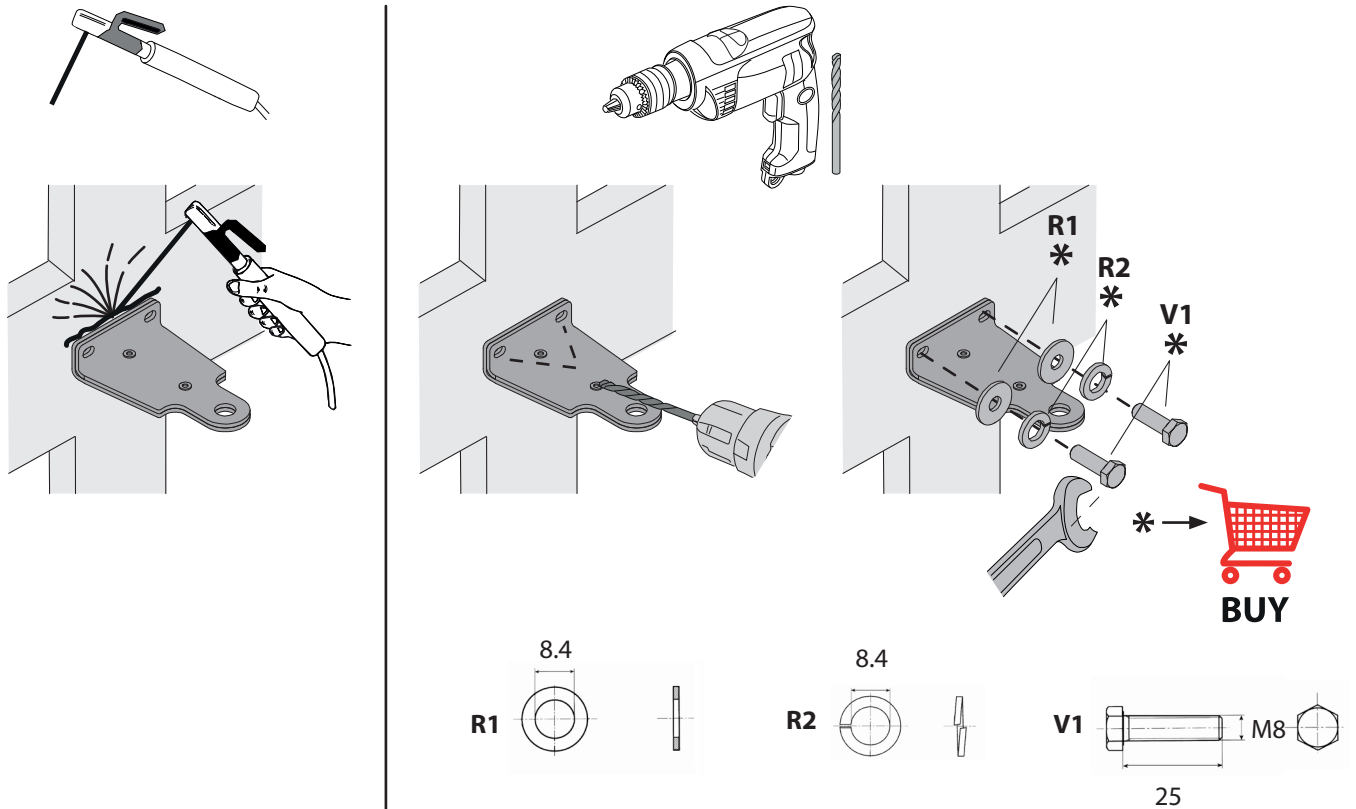
Z < 122mm



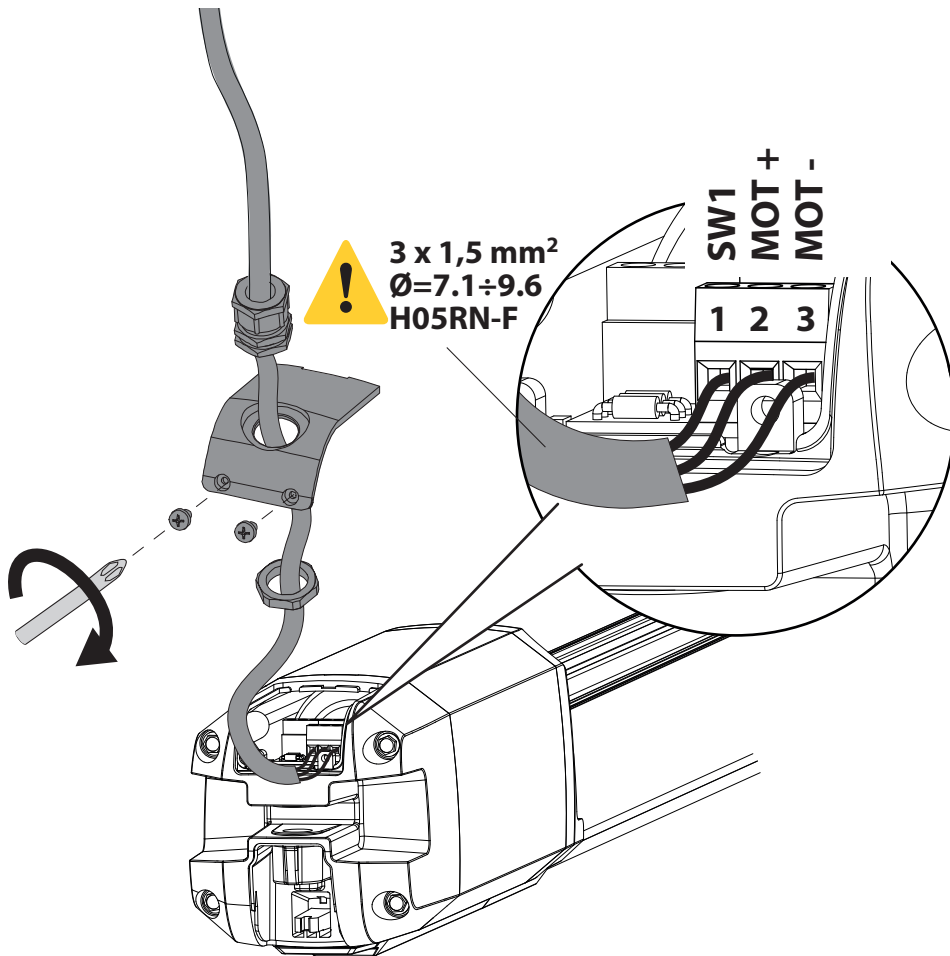
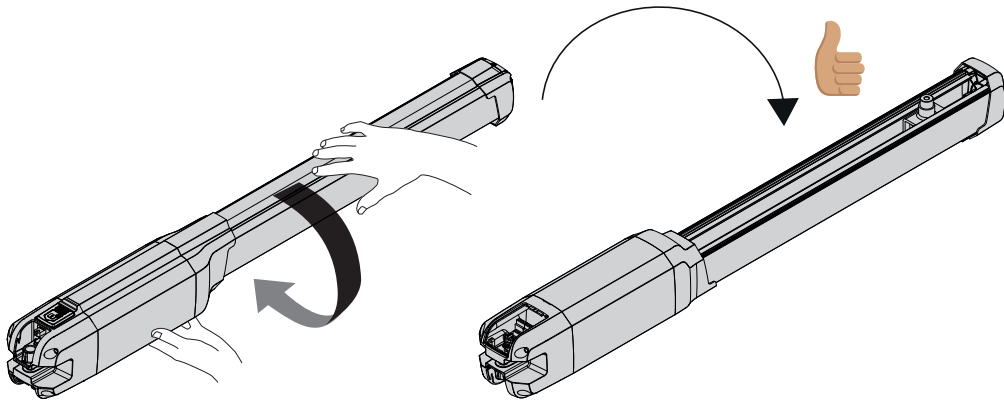
3



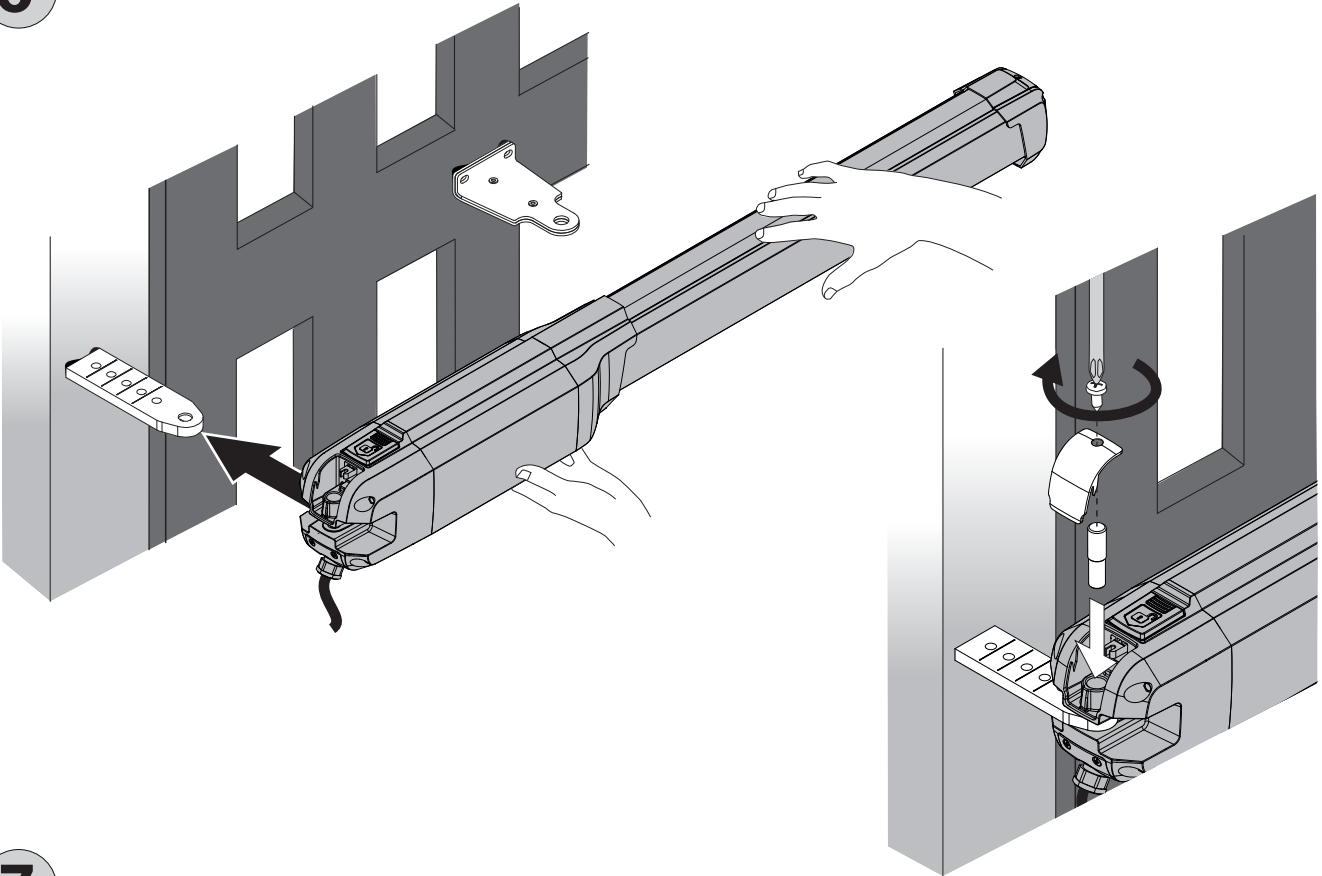
4



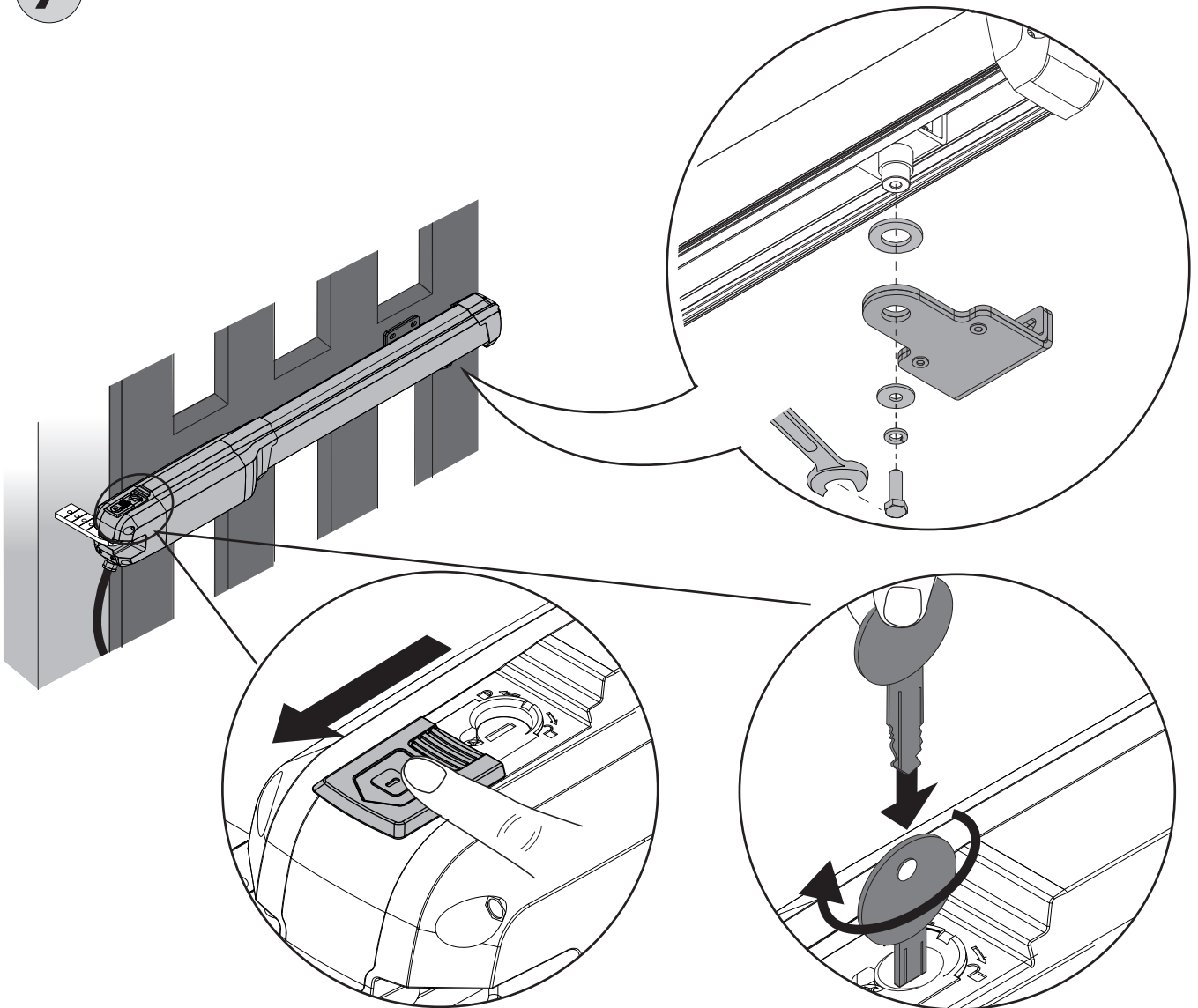
5



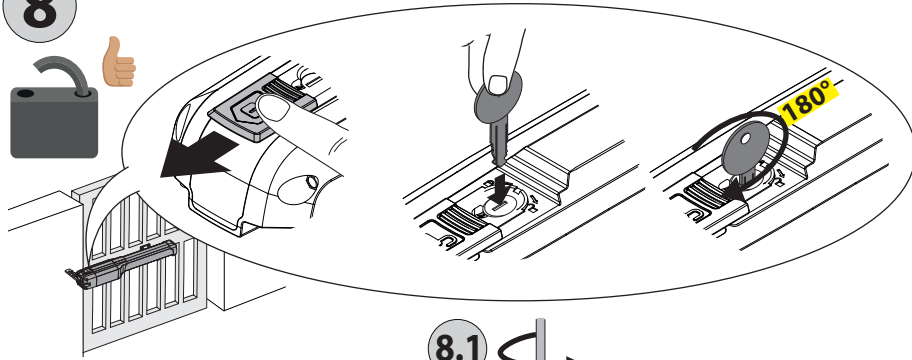
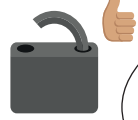
6



7



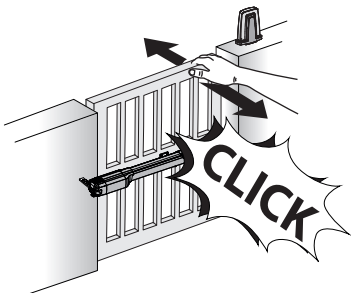
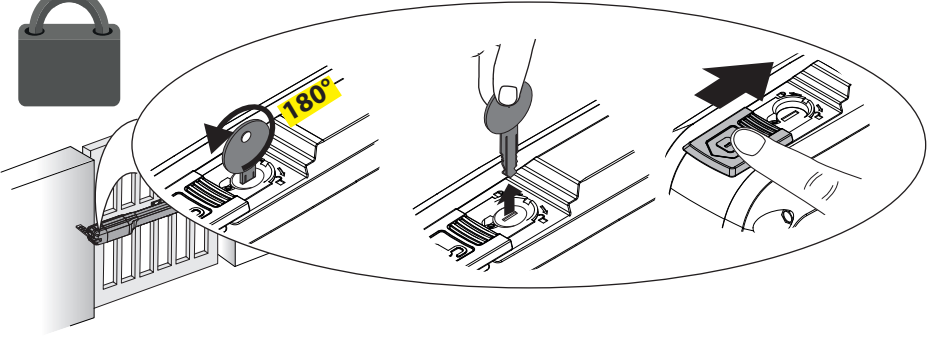
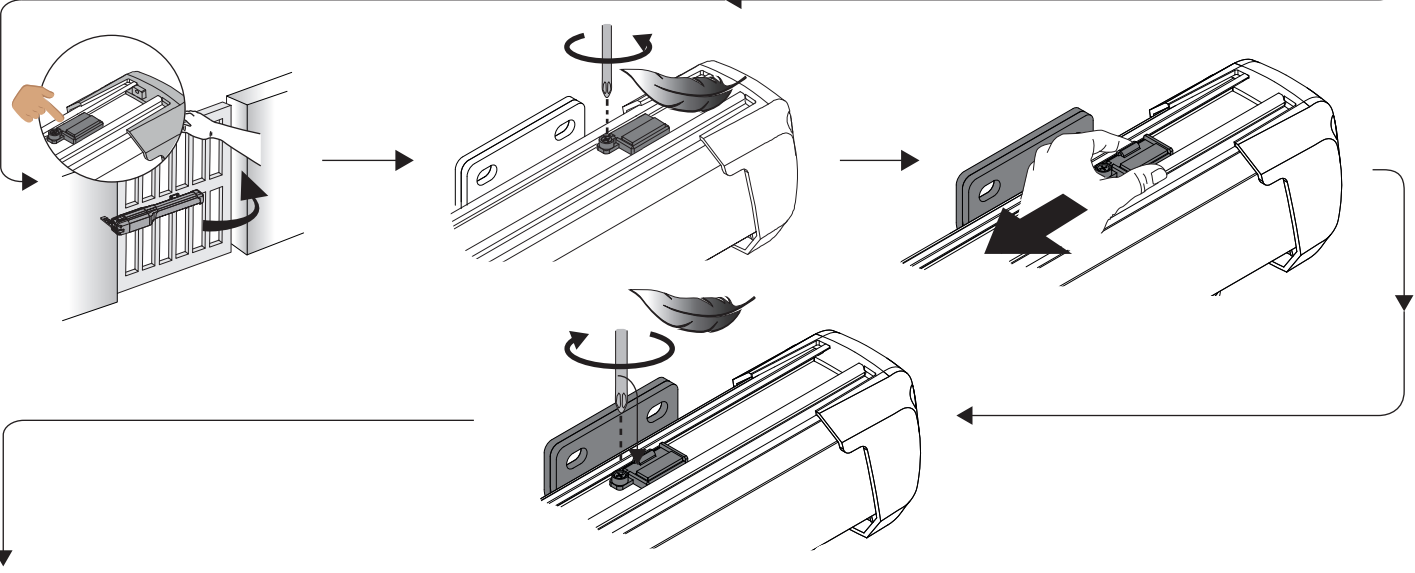
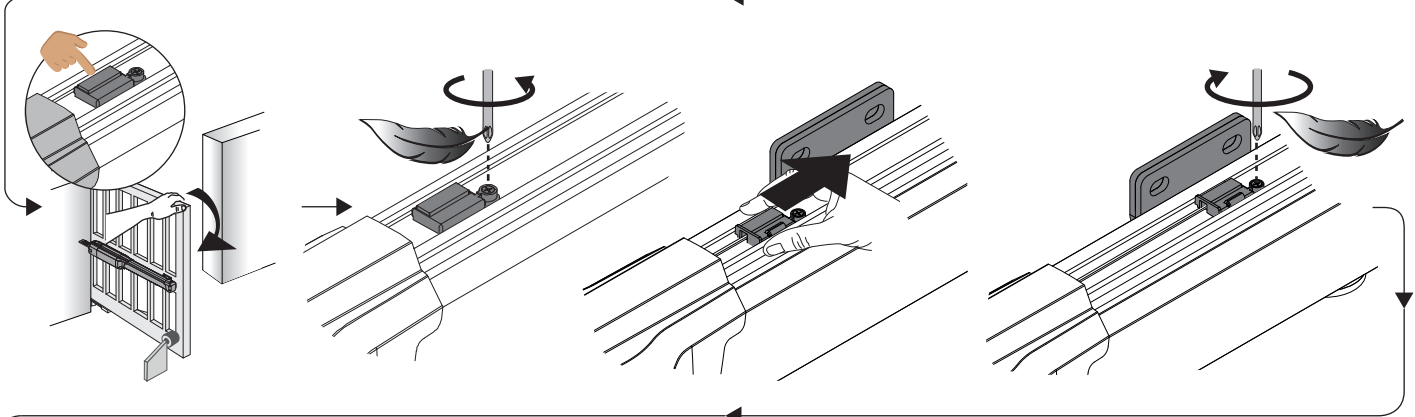
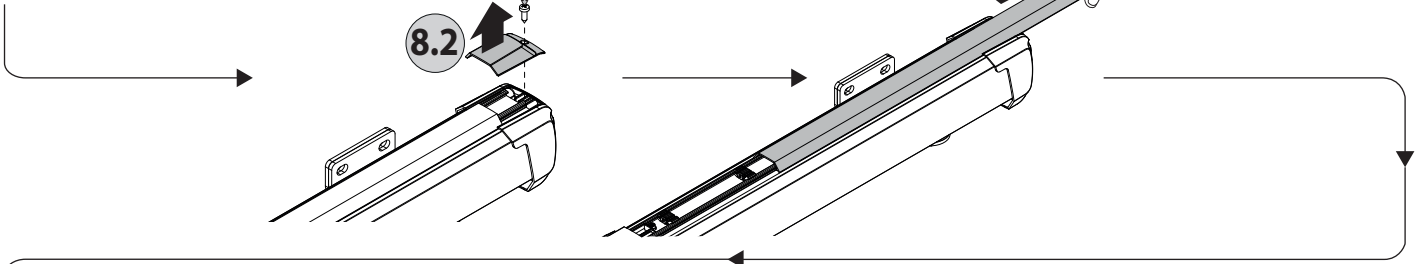
8



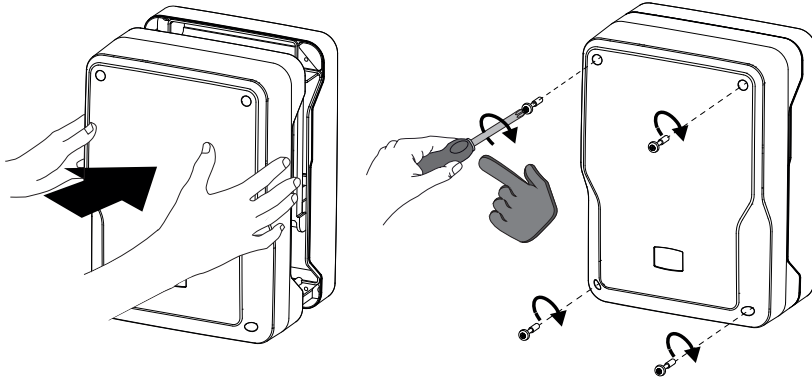
8.1

8.2

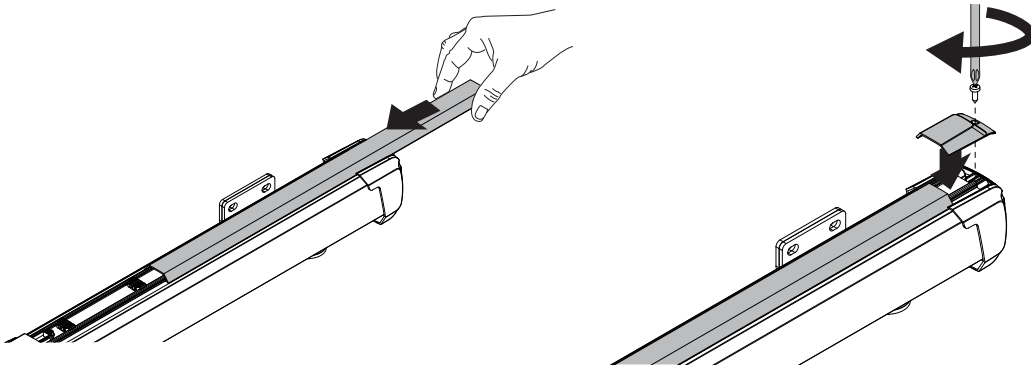
8.3



9



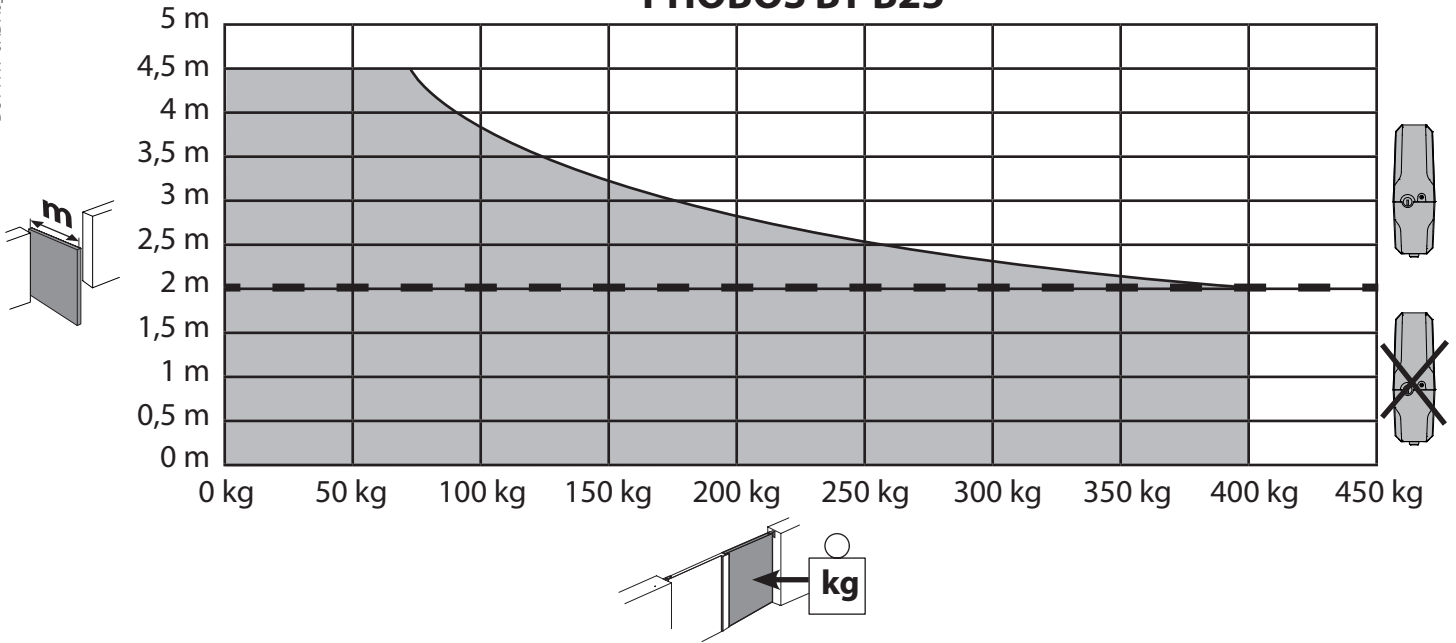
10



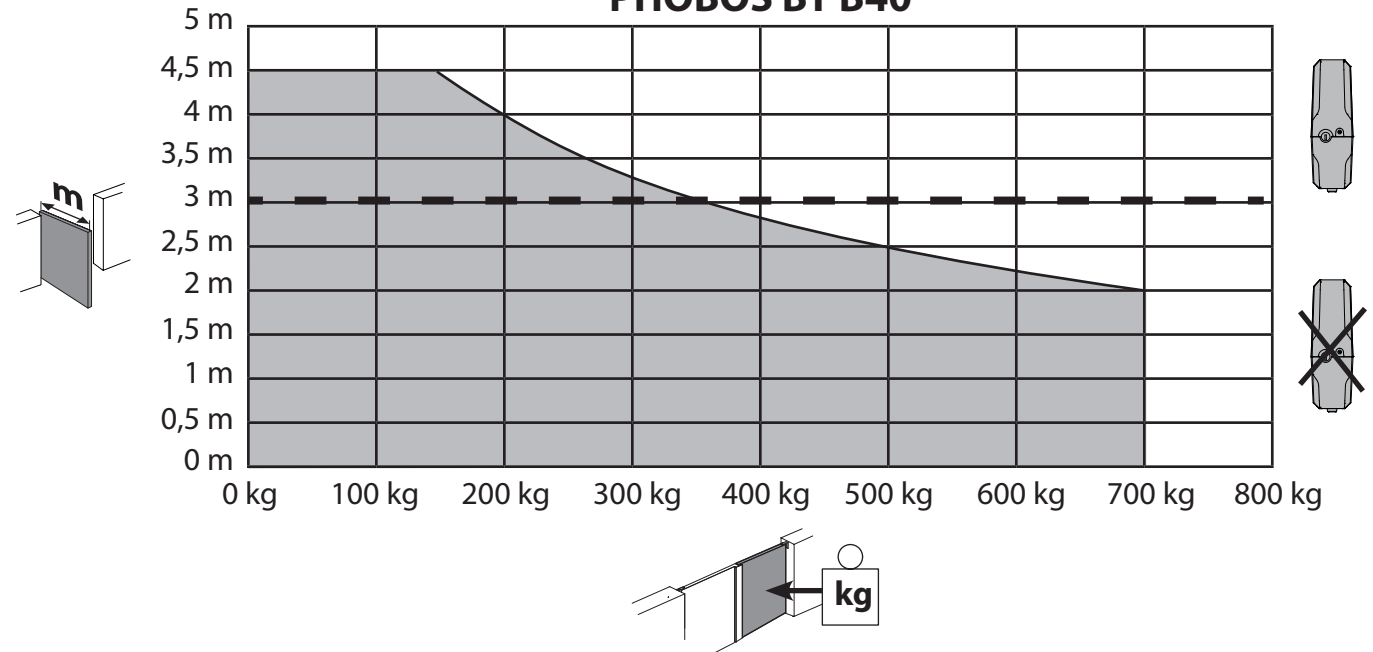
END



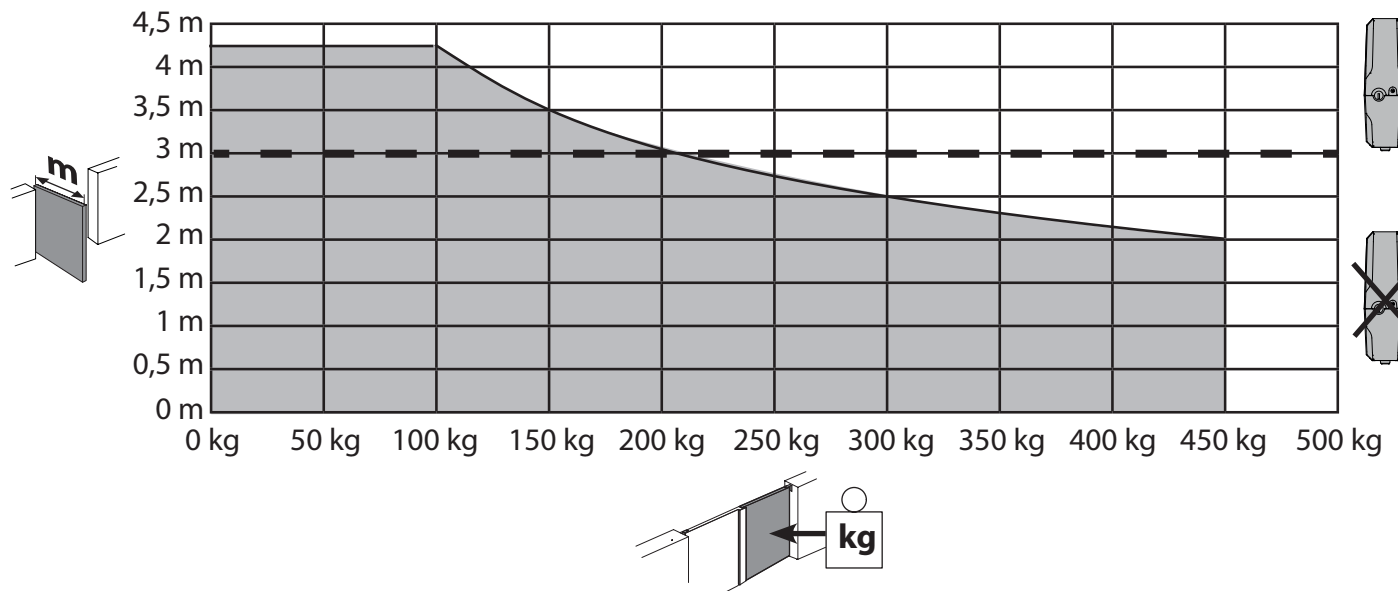
PHOBOS BT B25



PHOBOS BT B40



PHOBOS VELOCE BT B35



FINAL USER



**NO
POWER**

بدون طاقة

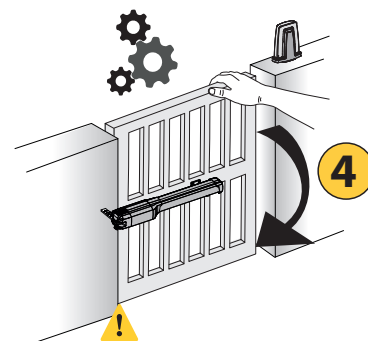
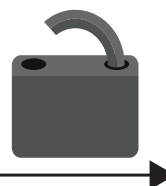
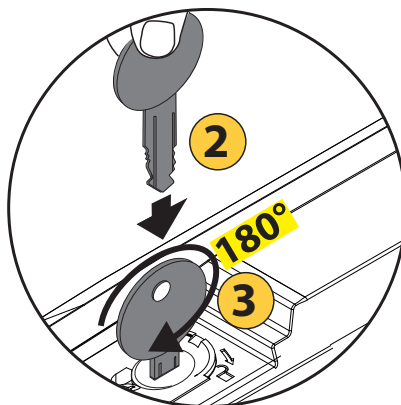
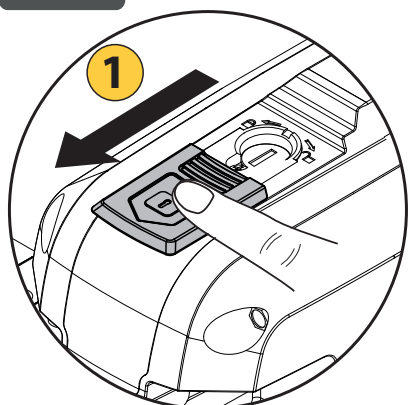


IT	MANOVRA MANUALE
EN	MANUAL OPENING
FR	OUVERTURE MANUELLE
ES	APERTURA MANUAL

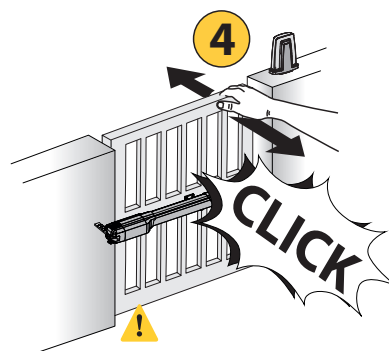
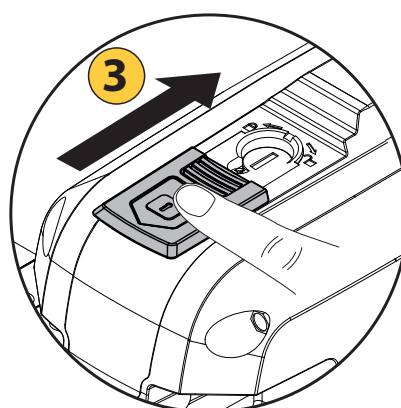
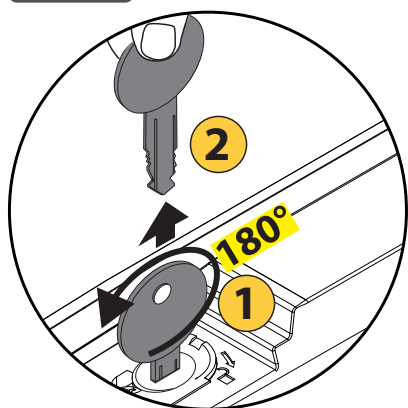
DE	MANUELLE ÖFFNUNG
NL	HANDMATIGE OPENING
PT	ABERTURA MANUAL
EL	ΧΕΙΡΟΚΙΝΗΤΟ ΑΝΟΙΓΜΑ

PL	OTWIERANIE RĘCZNE
RU	РУЧНОЕ ОТКРЫТИЕ
CS	MANUÁLNÍ OTEVÍRÁNÍ
TR	MANUEL AÇMA

HR	RUČNO OTVARANJE
RO	DESCHIDERE MANUALĂ
فتح يدوي	AR



* IT **Attenzione! Non spingere VIOLENTEMENTE l'anta del cancello.**



* IT **Attenzione! Non spingere VIOLENTEMENTE l'anta del cancello.**



IT	Attenzione! Non spingere VIOLENTEMENTE l'anta del cancello.
EN	Warning! Do not push the gate WITH EXCESSIVE FORCE
FR	Attention! Ne poussez pas VIOLEMMENT le vantail du portail.
ES	¡Atención! No empuje CON VIOLENCIA la hoja de la puerta.
DE	Achtung! Schieben Sie den Torflügel nicht MIT GEWALT an.

NL	Let op! Duw niet MET GEWELD tegen de deur van het hek.
PT	Atenção! Não empurrar COM FORÇA a folha do portão.
EL	Προσοχή! Μην σπρώχνετε ΜΕ ΜΕΓΑΛΗ ΔΥΝΑΜΗ το φύλλο της πύλης.
PL	Uwaga! Nie należy GWAŁTOWNIE popychać skrzydła bramy.
RU	Внимание! Не толкайте СЛИШКОМ СИЛЬНО створку ворот.

CS	Pozor! Na křídlo brány netlačte PŘÍLIŠNOU SILOU.
TR	Dikkat! Kapının kanadını ŞİDDETLİ bir şekilde itmeyin.
HR	Nemojte gurati vrata uz primjenu PREKOMJERNE SILE!
RO	Nu împingeți bariera CU FORȚĂ EXCESIVĂ.
AR	لا تدفع البوابة بقوة زائدة



AZIENDA CON
SISTEMA DI GESTIONE
CERTIFICATO DA DNV GL
= ISO 9001 =
= ISO 14001 =



www.bft-automation.com

BFT Spa

Via Lago di Vico, 44 **ITALY**
36015 Schio (VI)
T +39 0445 69 65 11
F +39 0445 69 65 22

SPAIN

**BFT GROUP ITALIBERICA DE
AUTOMATISMOS SL**
Camí de Can Bassa, 6, 08401
Granollers, Barcelona, Spagna

FRANCE

AUTOMATISMES BFT FRANCE SAS
50 rue Jean Zay
69800 Saint-Priest, Francia

GERMANY

BFT ANTRIEBSSYSTEME GMBH
Faber-Castell-Straße 29, 90522
Oberasbach, Germania

UNITED KINGDOM

BFT AUTOMATION UK LTD
Unit C2-C3 The Embankment Business
Park, Vale Road Heaton Mersey Stockport
Cheshire SK4 3GL United Kingdom

BFT AUTOMATION (SOUTH) LTD

Enterprise House Murdock Road, Dorcan,
Swindon, England, SN3 5HY

PORTUGAL

BFT PORTUGAL SA
Urb. Pedrulha lote 9 - Apartado 8123,
3025-248 Coimbra Portugal

POLAND

BFT POLSKA SP ZOO
Marecka 49, 05-220 Zielonka, Polonia

IRELAND

BFT AUTOMATION IRELAND
Unit D3 City Link Business Park, Old Naas
Road, Dublin

CROATIA

BFT ADRIA DOO
Obrovac 39, 51218, Dražice, Croazia

CZECH REPUBLIC

BFT CZ SRO
Ustecka 533/9, 184 00 Praha 8,
Czech

TURKEY

BFT OTOMASYON KAPI
Şerifali Mahallesi, no, 34775
Ümraniye/İstanbul, Turchia

U.S.A.

BFT AMERICAS INC.
1200 S.W. 35th Avenue Suite B Boynton
Beach FL 33426

AUSTRALIA

BFT AUTOMATION AUSTRALIA PTY
29 Bentley St, Wetherill Park NSW
2164, Australia

EMIRATES

BFT MIDDLEEAST FZCO
FZS2 AA01 -PO BOX 262200, Jebel Ali Free
Zone South Zone 2, Dubai - United Arab

NEW ZEALAND

BFT AUTOMATION NEW ZEALAND
224/A Bush Road, Rosedale,
Auckland, New Zealand